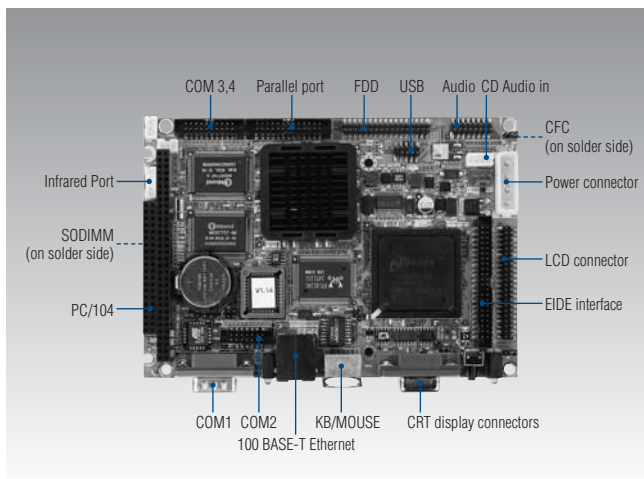


PCM-5825

AMD Geode SBC with CPU, 4 COMs,
Audio, VGA/LCD and Ethernet



Specifications

- **CPU** Onboard AMD Geode processor GX1-300 MHz processor
 - **System Memory** SDRAM SODIMM x 1, Max. 256 MB
 - **System Chipset** NS CX 5530
 - **BIOS** AWARD 256 KB Flash BIOS
 - **SSD** Supports CompactFlash™ card
 - **Watchdog Timer** 1 - 62 sec, 62 level timer intervals, system reset or IRQ11
 - **Expansion Interface** PC/104
 - **Battery** Lithium 3 V/196 mAH
- I/O**
- **MIO** 1 x EIDE (Ultra DMA33), 1 x FDD, 1 x K/B, 1 x Mouse, 1 x RS-232/422/485, 1 x RS-232, 1 x LPT
 - **IrDA** 115 Kbps, IrDA 1.0 compliant
 - **Audio** NS CX 5530, AC'97 2.0 compliant
 - **USB** 2 USB ports, USB 1.0 compliant
- Ethernet**
- **Chipset** RealTek 8139C
 - **Interface** IEEE 802.3u 100BASE-T Fast Ethernet compatible
Built-in boot ROM in Flash BIOS

Features

- Compact and powerful at less than 8 Watts power consumption
- 10/100BASE-T Ethernet
- 18-bit TFT LCD interface
- 4 COM ports share one IRQ
- AC'97 V 2.0 Audio

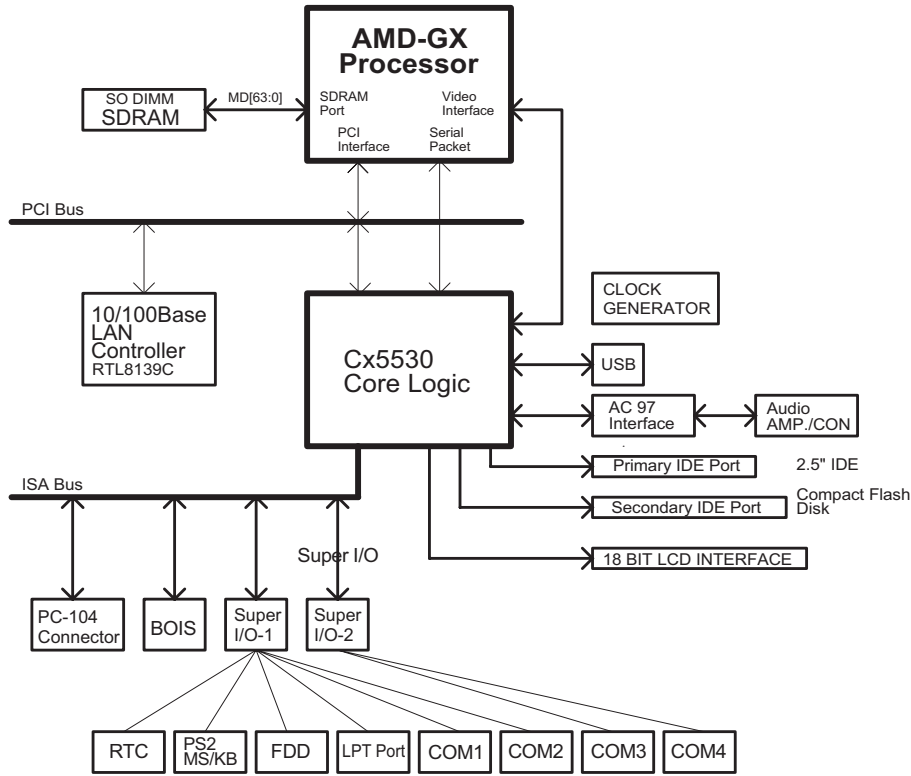
Display

- **Chipset** AMD CX 5530
- **Memory Size** 1-4 MB UMA shared memory
- **Resolution** Up to 1024 x 768 @ 24 bpp non-interlaced CRT and 1024 x 768 @ 18 bpp TFT LCD display (supports 3.3 V LCD)
- **LCD Interface** 18-bit TTL for TFT LCD only

Mechanical and Environmental

- **Dimensions (L x W)** 145 mm x 102 mm (5.7" x 4")
- **Power supply Voltage** +5 V ± 5%,
Max. : 4 A @ +5 V
Typical: 1.5 A @ +5 V
(with GX1-300 CPU & 64 MB DRAM)
- **Operating temperature** 0 ~ 60° C (32~140° F)
- **Operating Humidity** 0% ~ 90% Relative Humidity, non condensing
- **Weight** 0.75 kg (weight of total package)

Board Diagram



- 1 System on Module Solutions
- 2 Single Board Computers and Accessories
- 3 PC/104 Modules
- 4 Slot CPU Cards and Accessories
- 5 AIMB/POS Control Boards
- 6 Internet Security Platforms
- 7 Embedded Software
- 8 Appx

Packing List

- 1 PCM-5825 SBC
- 1 Mini Jumper pack (conts.: 10pcs) (p/n: 9689000002)
- 1 Keyboard & mouse cable 6P-6P-6P (p/n: 1700060202)
- 1 Audio cable for PCM-5820/5825 (p/n: 1700160160)
- 1 Cable for LPT port (p/n: 1700260250)
- 1 COM2 cable (p/n: 1701140201)
- 1 COM3/COM4 cable (p/n: 1701200220)
- 1 FDD cable (p/n: 1701340603)
- 1 HDD cable (p/n: 1701440351)
- 1 USB cable (p/n: 1703100260)
- Start up manual
- Utility CD

Ordering Information

Standard

- **PCM-5825-G0A2** AMD Geode SBC with GX1-300 processor, 4 COMs, Audio, VGA/LCD and Ethernet

Optional

- **MBPC-200-5825** MicroBox 3.5" Biscuit SBC chassis for PCM-5825
- **PS-50A** 50 W AC power supply For MBPC-200