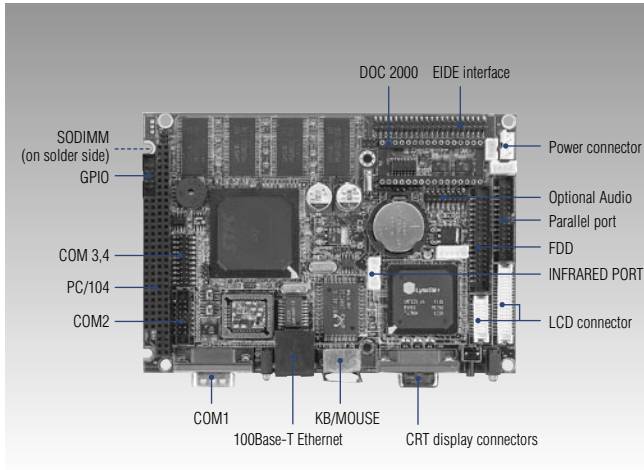


PCM-9340

3.5" 486 SBC with ST Elite,
VGA, LCD, LAN, 4 COMs



Features

- Embedded ST Elite and 32 MB memory
- 10/100Base-T Ethernet
- 36-bit DSTN/TFT LCD
- 4 COM ports share one IRQ

Specifications

- **CPU** Onboard ST Elite-133 processor, optional Consumer II
- **System Memory** 32 MB SDRAM on board, optional SODIMM socket. Max up to 64 MB
- **System Chipset** ST Elite
- **BIOS** AWARD® 256 kbit Flash BIOS
- **SSD** Supports DiskOnChip®
- **Watchdog Timer** Software enable/disable. 2 to 62 sec.
- **Expansion Interface** PC/104
- **Battery** Lithium 3 V/195 mAh

I/O

- **MIO** 1 x EIDE, 1 x FDD, 1 x K/B, 1 x Mouse, 1 x RS-232/422/485, 3 x RS-232, 1 x LPT
- **IrDA** 115 kbps, IrDA 1.0 compliant
- **GPIO** 8-bit programmable general purpose I/O
- **USB** N/A

Ethernet (PCM-9340F and PCM-9340N)

- **Chipset** RealTek® 8139C
- **Interface** IEEE 802.3u 100Base-T Fast Ethernet compatible
Built-in boot ROM in Flash BIOS

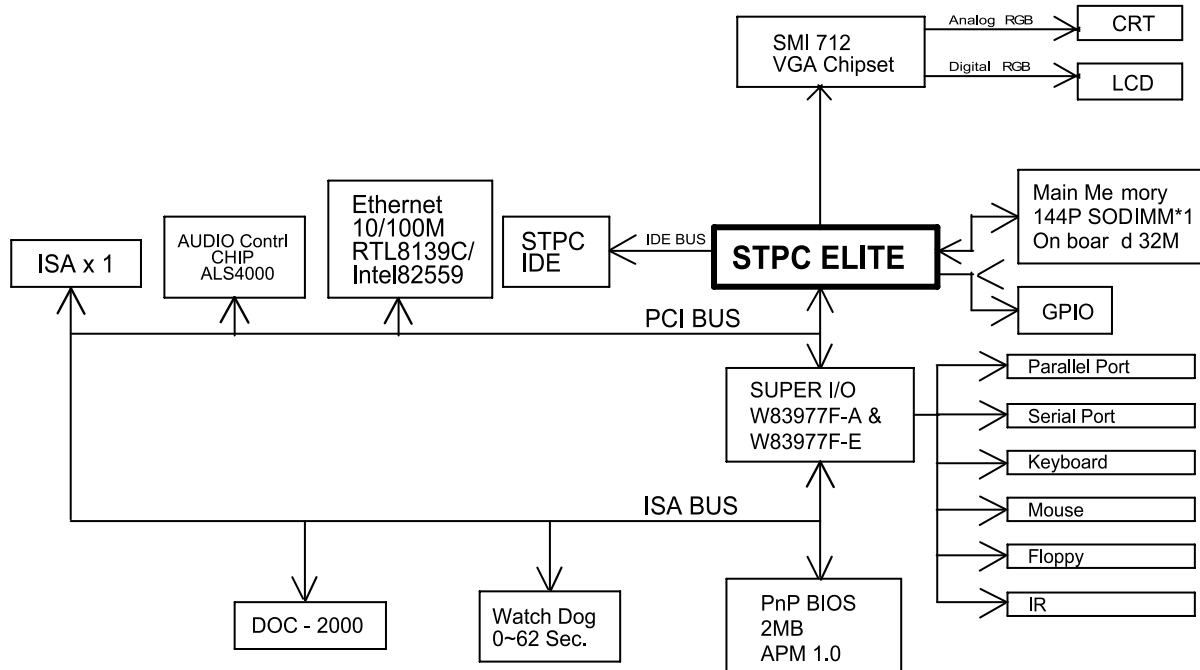
Display (PCM-9340F and PCM-9340V)

- **Chipset** SMI LynxEM + 712 chip
- **Memory Size** 4 MB on chip
- **Resolution** CRT Mode: 1280 x 1024 @ 16 bpp (60 Hz), 1024 x 768 @ 16 bpp (85 Hz), 800 x 600 @ 24 bpp (85 Hz)
LCD/Simultaneous Mode: 1280 x 1024 @ 16 bpp (60 Hz), 1024 x 768 @ 16 bpp (60 Hz), 800 x 600 @ 24 bpp (60 Hz)
- **LCD Interface** Supports 3, 9,12,18, 24, 36-bit TFT and 16 or 24-bit DSTN panel

Mechanical and Environmental

- **Dimensions (L x W)** 146 x 102 mm (5.7" x 4")
- **Power supply Voltage** +5 V ± 5%,
Max.: 3 A @ +5
Typical: 1.65 A @ +5 V (for Elite-133 W/32 MB DRAM)
1.3 A @ +5 V
- **Operating temperature** 0 – 60° C (32 ~ 140° F)
- **Operating Humidity** 0% – 90% Relative Humidity, noncondensing
- **Weight** 0.75 kg (weight of total package)

Board Diagram



Packing List

- 1 x PCM-9340 SBC
- 1 x Mini Jumper pack [count.: 10 pcs] (p/n: 9689000002)
- 1 x Keyboard & mouse cable 6P-6P-6P (p/n: 1700060202)
- 1 x Cable for LPT port (p/n: 1700260250)
- 1 x COM2 cable (p/n: 1701140200)
- 1 x FDD cable (p/n: 1701340603)
- 1 x HDD cable (p/n: 1701440504)
- 1 x COM3/COM4 (p/n: 1701200220)
- 1 x Startup manual
- 1 x Utility CD

Ordering Information

Standard

- **PCM-9340F-OCA1E** 3.5" 486 SBC with Elite-133, 32MB, VGA, LCD, LAN, 4 COMs
- **PCM-9340N-OCA1E** Same as PCM-9340F-OCA1, but without VGA/LCD
- **PCM-9340V-OCA1E** Same as PCM-9340F-OCA1, but without Ethernet

Optional

- **MBPC-200-9340F** MicroBox 3.5" Biscuit SBC chassis for PCM-9340F
- **PS-50A** 50 W AC power supply for MBPC-200
- **PS-25D** 25 W DC power supply for MBPC-200 with 486 SBC
- **1759203900** CPU fan DC 5 V 35 x 35 x 6 mm (Alum)

Embedded OS

- **2070000058** WinCE3.0 OS Image, PCM-9340, English V1.10 (optional)