

# MDPC-4090CDL

Medical Grade Desktop Computer  
with 7" TFT LCD



CE FCC

## Features

- Pentium® 4 -M CPU up to 2.2 GHz
- Integrated ATI M9 graphic controller with 64 MB Video RAM
- Support for up to 2 digital monitors at a time
- Support for independent resolutions for each display
- IEEE 1394a x 1; USB 2.0 x 6 (Front accessible USB x 2)
- Gigabit LAN port x 1
- Built-in slim keyboard and Touch pad drawer
- EN60601-1/ UL60601-1 Certified

## Introduction

The MDPC-4090CDL is a multimedia Pentium® 4 M based computer that is designed to serve as a medical grade image processing/analysis platform. It is a PC-based system with on-board high-performance ATI M9 graphic controller support dual independent display (resolution up to 1600 x 1200). With numerous COM ports, USB 2.0 interfaces, PCI extended bus, and a built-in Gigabit LAN for convenient and high speed interconnection power, so the MDPC-4090CDL is a powerful medical computing device.

MDPC-4090CDL with 7" LCD display console and built-in slim keyboard and Touch Pad drawer is a reliable, cost-effective solution for Medical system integrators.

## Specification

### General

- **Dimension (W x H x D)** 433 x 156 x 379 mm (17.04" x 6.14" x 14.92")
- **Weight** 16 Kg (35.24lb)
- **Power supply**

AC model	180 watts
Input voltage	100-240 VAC , 4/2 A max. @ 50- 60 Hz
Output voltages	+5 V @ 12 A, +12 V @ 12 A, +3.3 V @ 16.8 A, +5 Vsb @ 2.0 A, -12 V @ 0.8 A
- **Cooling fan Dimensions** 80 x 80 x 25 mm (3.15" x 3.15" x 0.98")  
(L x W x H)

### Standard PC Function

- **CPU** Socket 478 Intel® Pentium® 4 Processor-M up to 2.2 GHz (Provided 1.7GHz and 2.2GHz for long term support)
- **Chipset** 845E
- **Memory** DDR 200/266 SDRAM, 184-pin DIMM socket X2, Max. to 2GB capacity.
- **IDE Bus** ATA/100
- **HDD** One 3.5" IDE HDD
- **CD-ROM** 5.25" CD-ROM, (DVD+-RW optional)
- **Compact Flash** Type I/II x 1
- **I/O Ports** 4 Serial ports: RS232 x 3, RS-232/422/485 x 1, 1 parallel port, USB 2.0 port x 6, IEEE 1394a port X 1, 1 PS/2 mouse and keyboard interface
- **Audio Interface & Speakers** MIC-in, Line-in, Line-out, 6W speakers x 2
- **Network (LAN)** 10/100 Base-T Ethernet interface x 1; Gigabit LAN x 1
- **Bus Expansion** PCI 2.2 expansion slot x 1
- **Peripherals** US type 88-key slim type keyboard, and Touch pad

### General Specifications of Front Panel Display

- **Display type** 7" TFT LCD.
- **Resolution** 800 x 480 (native resolution)
- **Colors** 262K
- **Dot size (mm)** 0.19 x 0.19
- **Viewing angle (H/V)** 140/120°
- **Luminance** 400 cd/m2
- **Contrast ratio** 300 : 1
- **LCD MTBF** 50,000 hours
- **Backlight lifetime** 50,000 hours
- **Internal graphic card** ATI Radeon® 7000 PCI card
- **Tilt angle** 20°

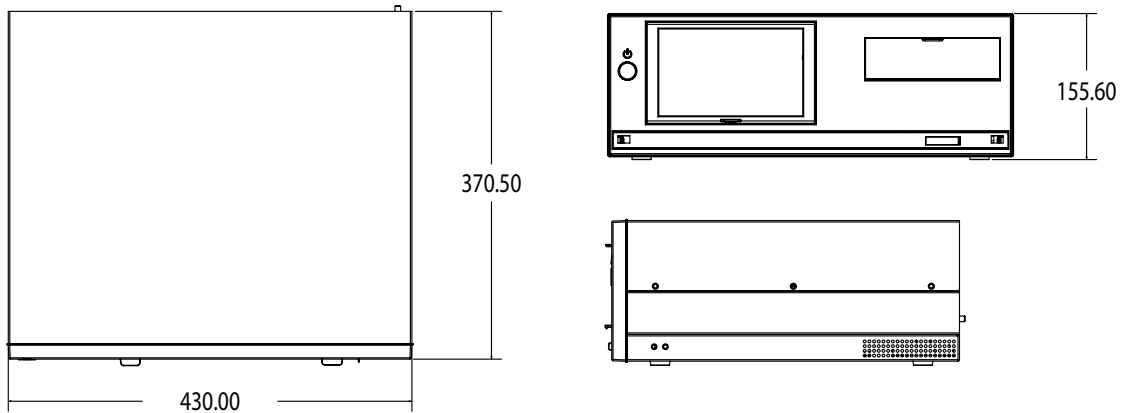
### Specification of integrated graphic chip

- **Integrated Graphics Chip** ATI Mobility™ Radeon® 9000 (M9)
- **Integrated Video RAM** 64 MB
- **Maximum Resolutions (Per display)** 1600 x 1200 at 60 Hz
- **SignalOut** Support 24 bits digital output (DVI-D port X 2)
- **Dual Independent Display Support**

### Environmental Specifications

- **Temperature** 0 ~ 40° C
- **Relative Humidity** 10 ~ 95% @ 40° C (non-condensing)
- **Shock** 20 G peak acceleration (11 msec duration)
- **Certification** CE, FCC approved
- **UL60601-1, EN60601-1 approved**

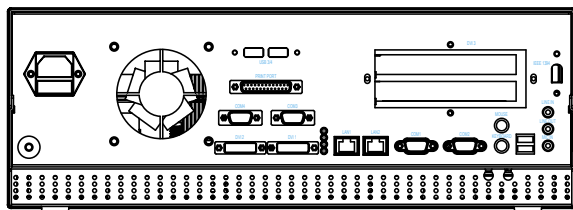
## Dimension



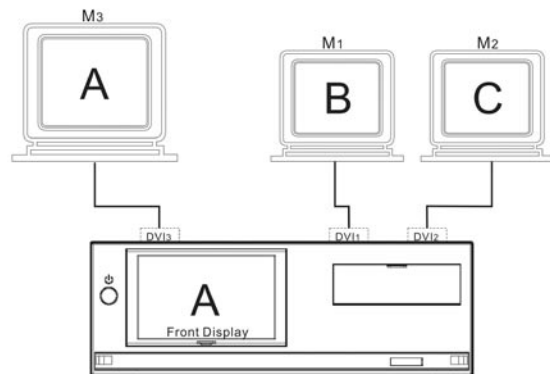
## Ordering Information

- **MDPC-4090CDLE** MDPC-4090 bare w/ 7" LCD, Drawer Keyboard Mice, CD-ROM drive
- **MDPC-4090DWLE** MDPC-4090 bare w/ 7" LCD, Drawer Keyboard Mice, DVD+-RW drive

## Integrated I/O



## Diagram



### Maximum Resolution

- Front Display supports up to 800 x 480
- M3 (monitor3) supports up to 800 x 600
- M1 (monitor1) and M2 (monitor2) supports up to 1600 x 1200
- M3 and front display show the same image