

TREK-776

Vehicle Mounted Computer with 12.1" TFT LCD and Pentium M/Celeron M Processor



Features

- 12.1" TFT LCD Display, 5% ~ 100% dimmable
- Function keys for brightness control
- On-board Intel ULV Celeron M 1.0 GHz or Pentium LV M 1.1 GHz CPU
- Rugged aluminum enclosure and fanless design
- VESA standard for flexible mounting kits
- IP65 dustproof and waterproof seals
- Compatible with Windows 2000/XP
- Embedded OS Support (Win CE 5.0 or XP Embedded)
- Flexible expansion capability for IEEE 802.11a/b/g, GPS, GSM/GPRS
- Stable and wide range DC 6 ~ 60 V input
- Extreme temperature operating capability
- Optional sunlight readable capability

Introduction

The TREK-776 is a vehicle-mounted platform designed to withstand the harshest environments. The TREK-776 has a rich variety of optional wireless and wide area network modules for real-time communication and data capture on warehouse floors, in freezers, docks or container yards. The rugged die-cast aluminum enclosure replaces the fan as it helps dissipate heat. TREK-776 has a special design without ventilation holes that makes the front bezel, back cover and sides comply with IP65 standards for protection against dust and water. The more exposed I/O ports have been placed in the bottom to protect against vertically falling water. With wide-temperature tolerance components and a heater for low temperature operation, TREK-776 can operate in freezing environments.

Specifications

- **CPU** On-board Intel ULV Celeron M 1.0 GHz/Pentium LV M 1.1 GHz
- **System Memory** Supports up to 2G DDR SDRAM B
- **SSD** Supports one internal CompactFlash type I/II socket
- **HDD** One IDE interface for 2.5" HDDs
- **Network (LAN)** 10/100Base-T Ethernet interface; 1000Base-T optional
- **MiniPCI** One type III A/B slot
- **Dimension** 310 x 255 x 90 mm
- **Weight** 4.8 kg

LCD Display

- **Display Type** 12.1" color TFT LCD
- **Resolution (H x V)** XGA 1024 x 768
- **Viewing Angle (H/V)** 160°/160°
- **Luminance** 450 nits, 5 ~ 100% dimmable brightness control
- **Lamp Life Time** 50,000 hours

Touchscreen

- **Type** Analog resistive
- **Controller** USB interface

Power Supply

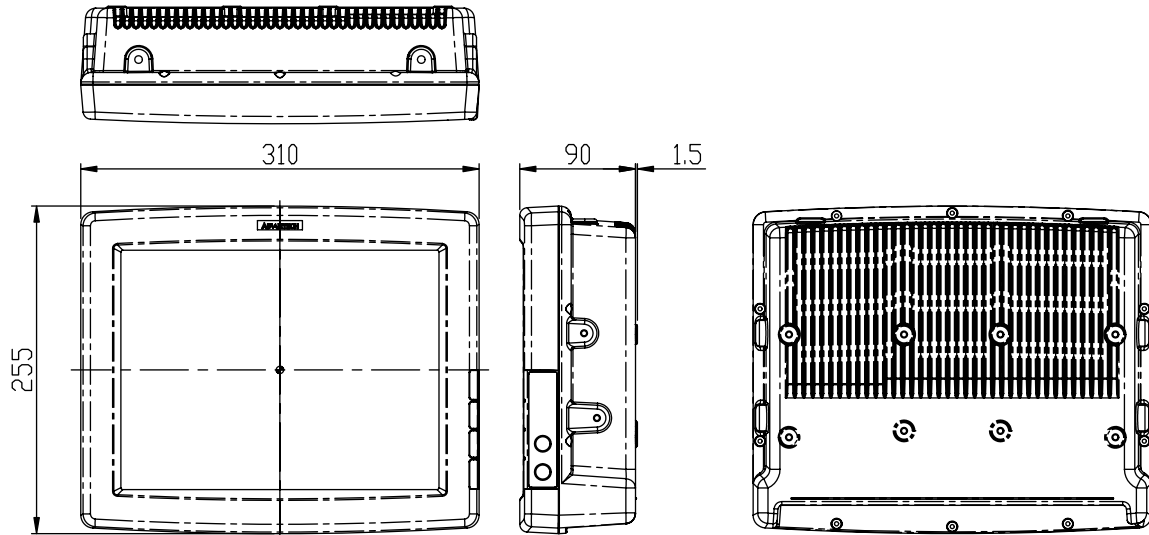
- **Input Voltage** 6 ~ 60 V DC

Environmental Specifications

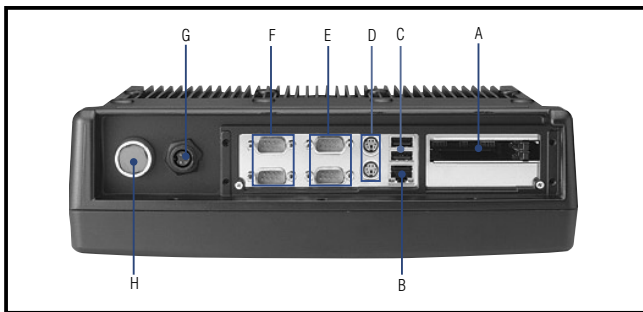
- **Operating Temperature*** -20 ~ 50° C
* Using wide operating temperature HDD or CF card
- **Anti-freeze Operating** -30 ~ 50° C (-22 ~ 113° F)
- **Relative Humidity** 10% ~ 95% @ 40° C, non-condensing
- **Shock** 30 G peak acceleration (11 ms duration)
- **EMC** CCC, CE, FCC Class B
- **Safety** CCC, UL, CUL, CE
- **Vibration** 1G (operating with HDD); 3G (operating with CF card)

Dimensions

Unit: mm



Fully Integrated I/O



- A: PCMCIA Type II x 2/Type III x 1
- B: 10/100Base-T Ethernet
- C: 2 x USB v2.0
- D: PS/2 keyboard and mouse port

- E: 2 serial ports (RS-232/422/485)
- F: 2 serial ports (RS-232)
- G: DC power inlet (IP66)
- H: Power switch (IP65)

